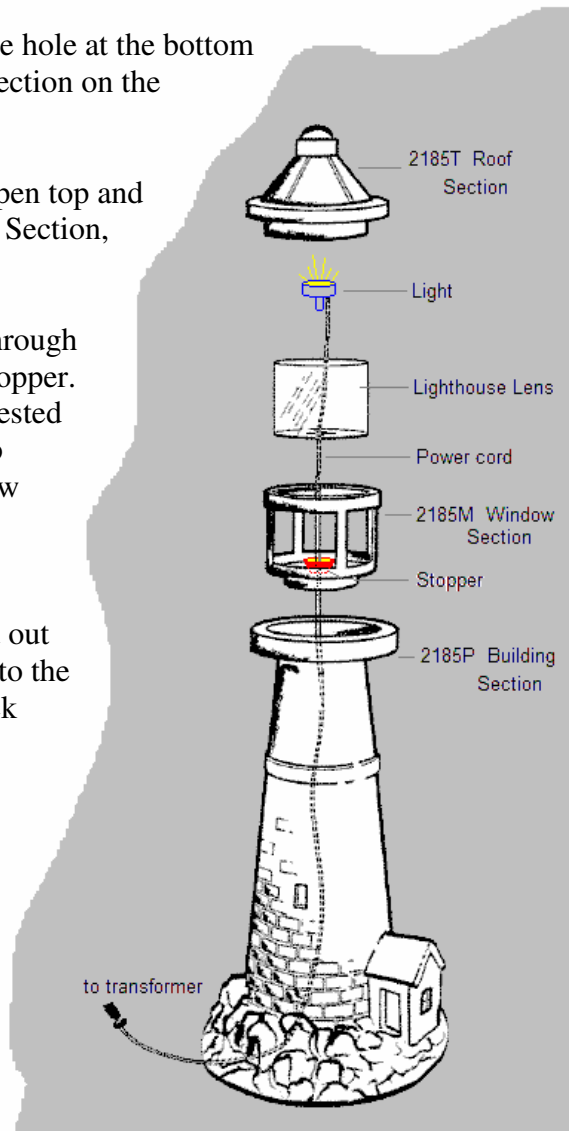




For best results, locate a suitable site for your lighthouse that is level and provides pleasing viewing angles. Note: Always follow local electrical codes and use 110V CFCI protected outlet.

2185 LIGHTHOUSE SET UP DIRECTIONS

1. Place your 2185P Lighthouse Building in an attractive location. The surface should be flat, firm, and level.
2. Insert the rubber stopper (small side down) in the hole at the bottom of the 2185M Window Section. Set the Window Section on the 2185P Lighthouse Building.
- 3) The Lighthouse Lens is cup shaped. It has an open top and a molded floor at the bottom. Set it in the Window Section, molded floor down.
- 4) Insert the light power cord from the top down through the hole in the Lens floor and through the rubber stopper. Pull the cord all the way through until the light is nested in the center hole at the floor of the Lens. The barb section of the light should fit snugly in the Window Section's rubber stopper.
- 5) Holding the Window Section in place, tip the Building section just enough to pull the power cord out toward your power supply where you can plug it into the supplied transformer, but leave a few inches of slack inside of the Building Section.
- 6) Finally, set the 2185T Roof Section on top of the Window Section.
- 7) Read your light instructions and plug in the transformer to see your lighthouse shine.



WINTER CARE:

Keep snow and ice off of the sculpture as ice over time may damage the lighthouse. Do not let the building section sit in snow or ice. 4/2019

Online Resources

Products: www.henristudio.com/products
FAQs: www.henristudio.com/faq
Warranty: www.henristudio.com/warranty
Contact : www.henristudio.com/contact-us