

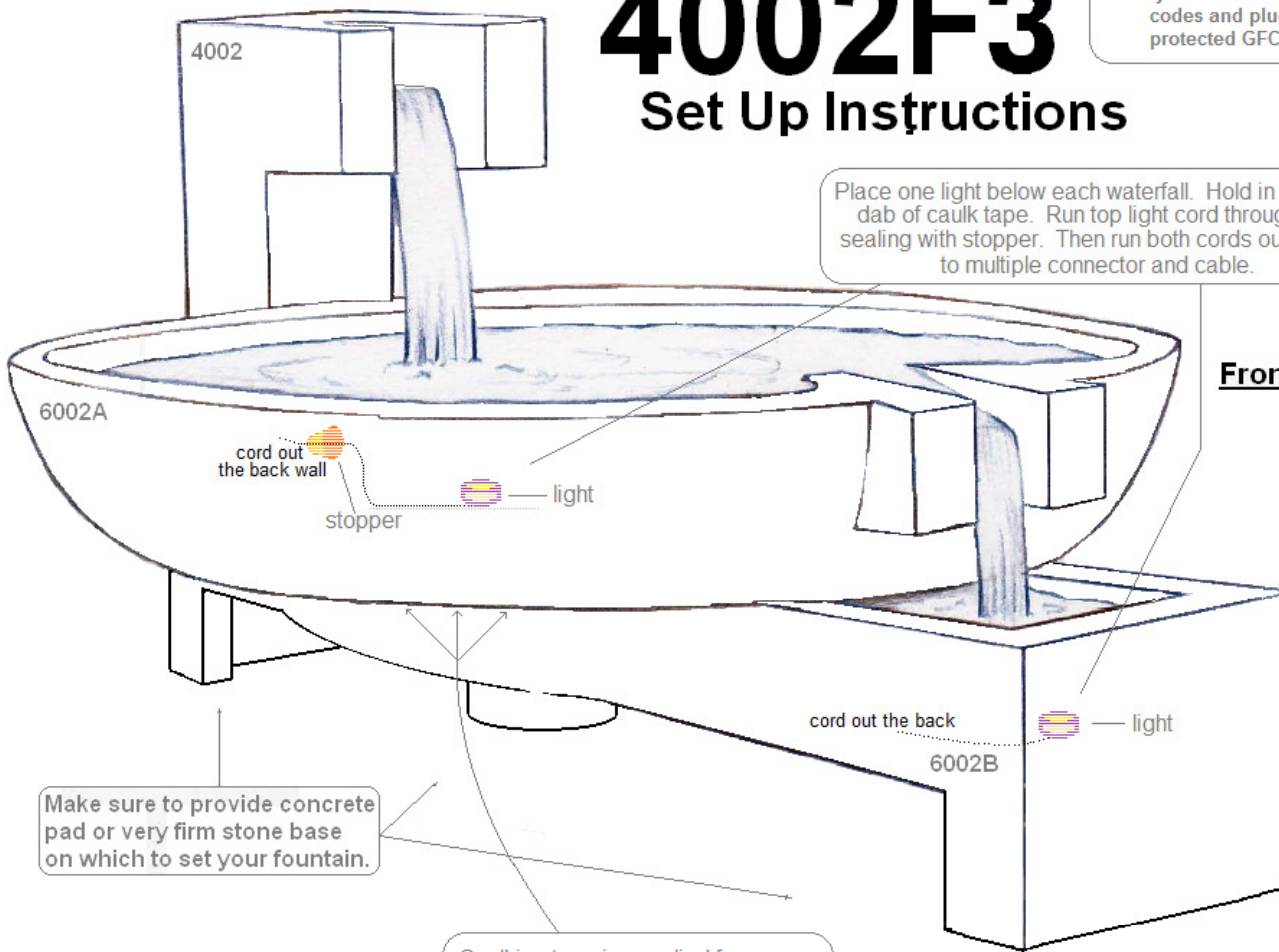
4002F3

Set Up Instructions

Always follow local electrical codes and plug into a protected GFCI circuit!

Place one light below each waterfall. Hold in place with dab of caulk tape. Run top light cord through hole, sealing with stopper. Then run both cords out the back to multiple connector and cable.

Front View



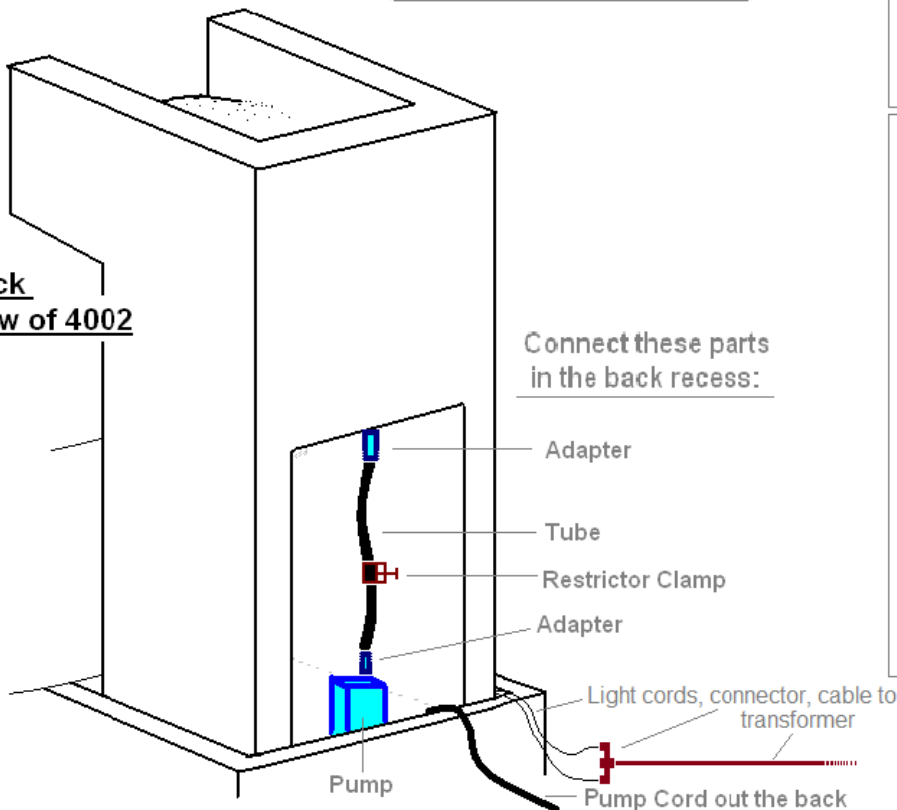
Attach the copper plates to the tops of the waterfalls, using the silicone sealant. Letting them overhang a bit will create the best waterfall effect.

IMPORTANT - WINTER CARE

Winter's ice buildup can damage concrete statuary. Follow these tips to reduce winter weathering:

- * Disconnect power to pumps & lights.
- * Remove drain plugs and stoppers to let all the moisture out. Keep drains open throughout winter.
- * Place an absorbent material like blankets, burlap, etc. inside the bowls and cover all with a Henri Studio Fountain Cover.
- * Do not allow snow or ice to build up on or against the concrete. Remove all snow before it turns to ice. Do not use salt or chemical ice removers as these damage concrete.

Back View of 4002



Caution: The use of Chlorine or Chlorine Bleach or water coloring additives may damage the finish of your fountain.

5/23

Online Resources

Products: www.henristudio.com/products
FAQs: www.henristudio.com/faq
Warranty: www.henristudio.com/warranty
Contact: www.henristudio.com/contact-us