

# HENRI

STUDIO<sup>®</sup>  
INC.

## Palazzo Fluted Fountain 5125F15

### Assembly Instructions

1. Locate a suitable site for your Palazzo Fluted Fountain. Site should be level and provide a pleasing viewing angle. You should always follow local electrical codes and use a GFCI Protected outlet.

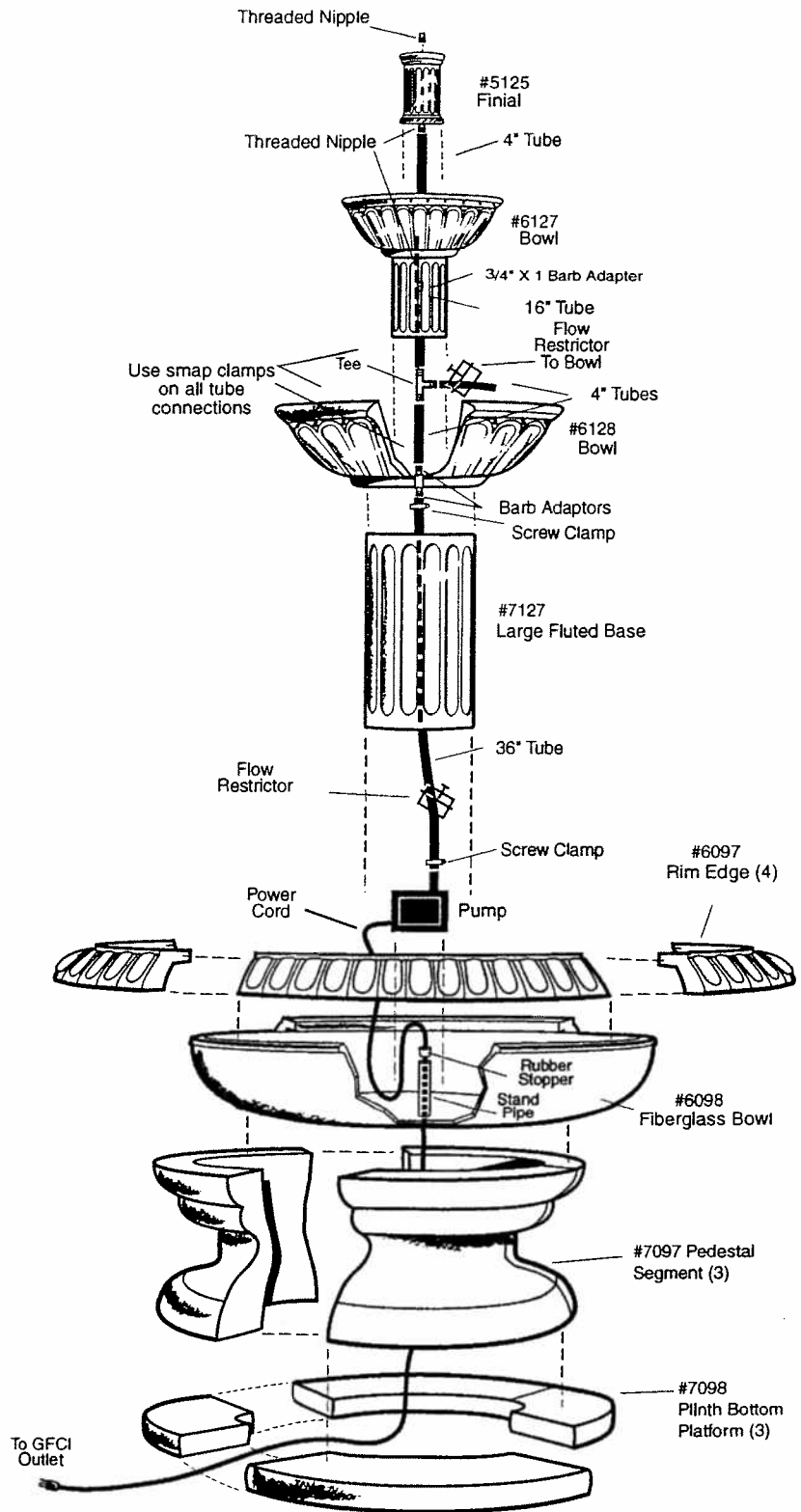
NOTE: this is a tall vertical sculpture and care should be taken to provide a level surface before assembly is started, as a slight angle will be noticeable and can affect the fountain's water action.

2. Locate the three 7098 Plinth Bottom Platforms in the center of your site. Locate the joints of these platforms so that they provide a pleasing view from your primary viewing angle. Level the Platform Sections as necessary.

3. Locate the three 7097 Pedestal Segments on the inside ring of the Plinth Bottom Sections. You will notice a slight depression in the Plinth Sections which properly locates the Pedestal Segments. The joint lines of the Pedestal Segments and Plinth Sections should line up for the best appearance. Level the Pedestal Segments as necessary.

4. Locate the 6098 Large Bowl and make sure stand pipe is tight.

5. Pass the power cord of the pump through the stand pipe leaving approximately 12-18" of cord to the inside of the bowl. Install a rubber stopper over the power cord and insert it into the top of the stand pipe. The rubber stopper has a slit in it, spread the stopper apart at the slit and slide the cord into the hole in the center of the stopper.



5125F15

### IMPORTANT-WINTER CARE:

Do not allow water to collect and freeze in fountain bowl(s) or shell. Do not allow fountain pieces to sit in a pool of ice. Disassemble entire fountain and pump and store indoors during the winter season.

If you cannot store your fountain indoors during the winter season, you must at least protect it from ice collection or exposure. Protect your fountain during the winter season: first remove the statue(s) and pump, storing them inside if possible. Next, locate the drain plug on the underside of bowl(s) or shell. Remove drain plug to drain any water "trapped" between the walls of the bowl(s) or shell. Then fill the bowl(s) or shell with an absorbent material such as burlap, blankets, etc. Finally, cover the entire fountain with a Henri Fountain Cover. Should condensation droplets form on the inside of the cover, they will be absorbed by the material.

By following these simple and sensible precautions during the winter season, you will protect your fountain for years of beauty and enjoyment!

The rubber stopper supplied with this fountain has several holes in it. Each of these is capable of accepting a cord. This can be useful for multiple pump applications, under water lighting or other electrical connection. There are several small corks provided to plug any unused holes.

6. Locate the Large Bowl on the Pedestal Segments. Pass the power cord through the center of the Pedestal Segments and through the groove between any two of the Plinth Bottom Platforms. It may be necessary to slightly separate the sections to properly locate the cord. If you moved the Plinth Platforms to locate the power cord, realign them as necessary before proceeding. Be sure that the cord exits the Sections closest to your GFCI protected outlet. Level the bowl as necessary.
7. Slide a Flow Restrictor on the pump end of the longest tube so that it is about 3-4" from the pump outlet. Connect the tube to the pump outlet using the 1" hose clamp. Place the 7127 Large Fluted Base over the pump and stand pipe and route the NKT up through the top of the base. Locate the access door away from your primary viewing angle and level as necessary.
8. Thread two 1' X 1' barb adapters, one into the top and one in the bottom of the 6128 Large Fluted Bowl. Locate the 6128 Bowl on the Large Fluted Base and level as necessary.
9. Connect a 4" piece of NKT to the barb adapter on the inside of the 6128 Bowl. Insert a Tee into the open end of this NKT. Place a flow restrictor on the remaining 4" piece of NKT and place this on the "T" end of the Tee. Connect the remaining 16" piece of NKT to the open end of the Tee. Clamp all tube connections with plastic snap clamps.
10. Insert barb adaptor under the 6127 Small Fluted Bowl/Pedestal Unit. Place the 6127 in the 6128 Bowl and attach the 16" piece of NKT to the barb underneath and clamp. Level as necessary.
11. Thread the 3/4" close nipples into the top of the 6127 and into both sides of the 5125 Fluted Finial. Attach short tube to fitting under the 5125 Finial. Locate the Fluted Finial in the Bowl/Pedestal Unit, attach tube to 6127 fitting, and center and level as necessary.
12. Lay one of the 6097 Rim Edge on the outside edge of the Large Bowl and locate it in its positioning notch. Add the remaining three Rim Edges and align them as necessary. For added safety Henri Studio has designed a locking system for the four Palazzo Rim Pieces. You will notice that under the inside corner of each Rim Edge is a bolt. Unthread the bolts and place the supplied 7" steel slotted strap across the seam between each Rim Edge. Re-thread the bolts through the slots of the strap. This steel strap will lock the Rim Edges together for added stability."
13. Add water to the fountain and start the pump when there is sufficient water to cover the pump. Adjust the flow restrictor in the base for a pleasing flow and then adjust the flow restrictor in the 6128 bowl for pleasing flow over the bowl rim. The final level of the water is generally recommended to be 1" below the edge of the fiberglass bowl.

If the pump does not start on the first attempt, unplug the pump and plug it in again. Sometimes an airlock can occur and this simple restart most frequently clears the lock.

#### **5125F15 Connection Kit Parts List**

1 Pump	3 1" X 1" Barb Adapters
1 RS 1.5 Rubber Stopper	1 3/4" X 1" Barb Adapter
5 #0SL Corks	3 3/4" Nipples
2 1" Clamp	6 Shims
1 36" X 1" NKT	5 Snap Clamp
1 16" X 1" NKT	
3 4" X 1" NKT	
1 1" Tee	
2 Flow Restrictor	