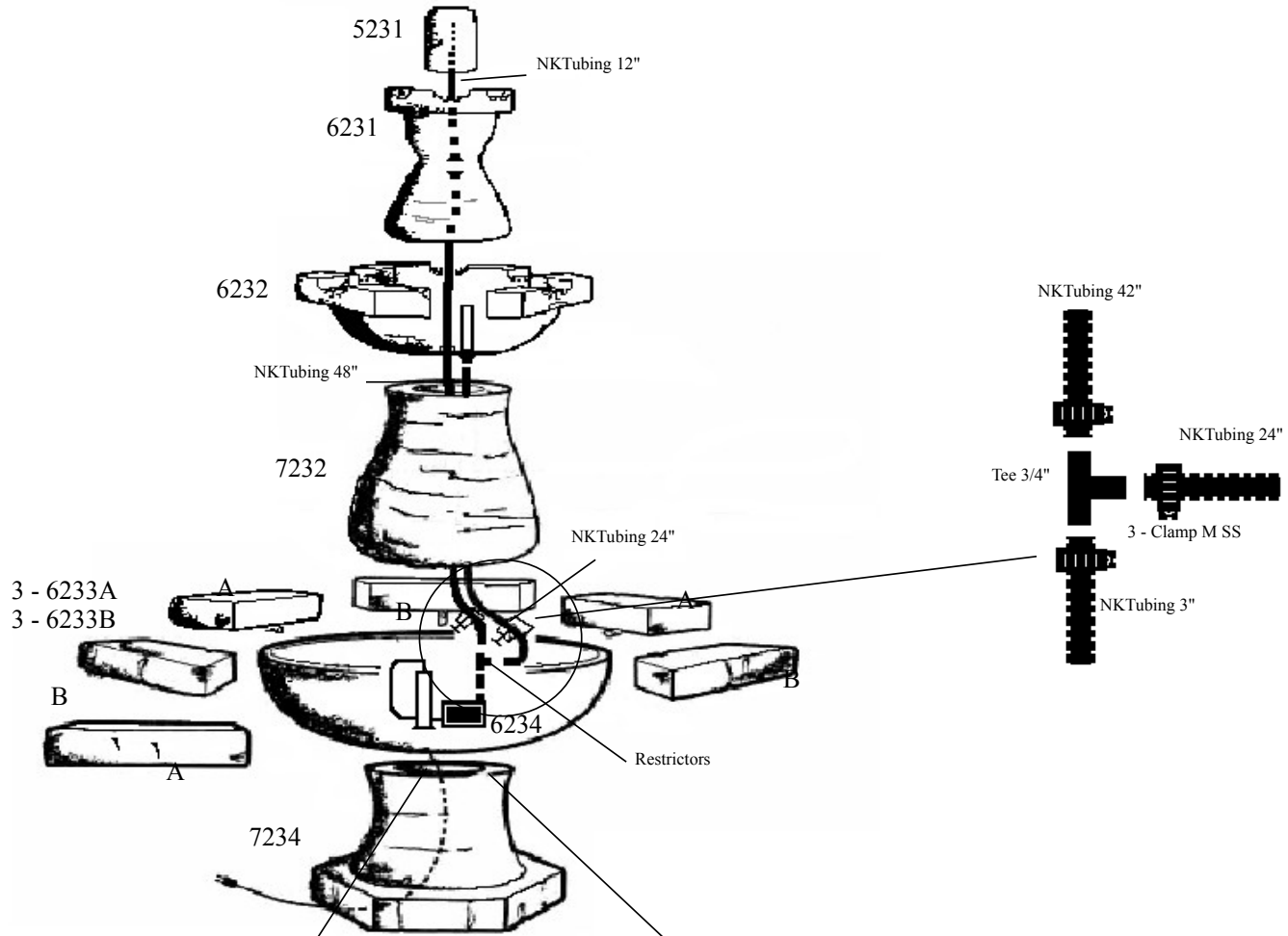
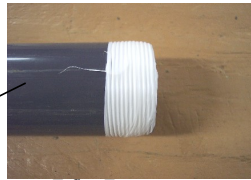


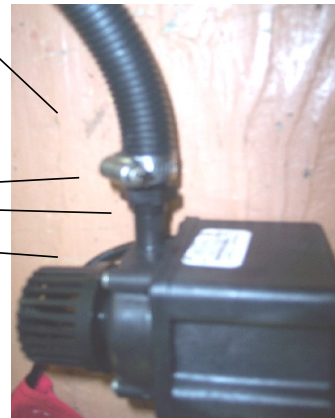
# 5231F12 Grenoble Three-Tier Fountain, 12 pc.



STP2X12  
RS2 Rubber Stopper  
Corks


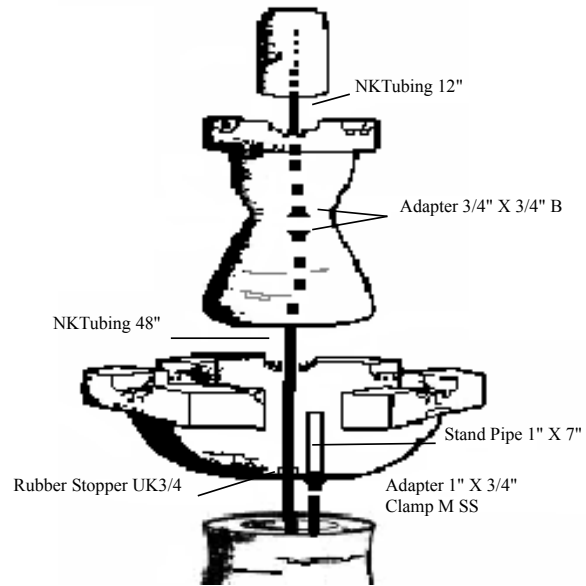
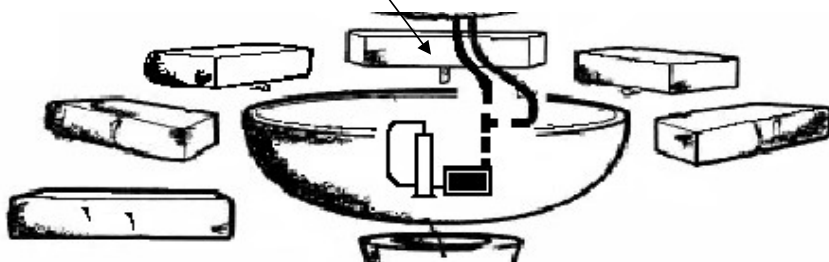


Teflon Tape



Clamp M SS  
Bushing 1/2\" X 3/8\"  
Pump

SLOTTED STEEL STRAP WITH 2 BOLTS AND WASHERS (ONE SET FOR EACH BOWL RIM SECTION)

**Part list: CK624**

QTY	Description	Henri Part #
1	P500	24-39H
1	Fact Book	60-01H
1	STP2X12	15-233H
1	TEFLON TAPE X 36"	15-133H
1	BUSHING 1/2" X 3/8"	15-242H
5	CLAMP MEDIUM SS	15-121H
6	STRAP 4.5" STEEL	10-10H
12	WASHER 3/8" X 7/8" SS	06-79H
1	NKT3/4" X 3"	04-35H
1	TEE3/4"	15-46H
1	NKT3/4" X 24"	04-35H
1	NKT3/4" X 42"	04-35H
1	NKT3/4" X 12"	04-35H

QTY	Description	Henri Part #
1	CLAMP#56	15-111H
1	ADAPTER 1"MNPT X 3/4"BARB	15-248H
1	STP1X7	15-131H
2	ADAPTER 3/4"MNPT X 3/4"BARB	15-157H
2	R1 RESTRICTOR	20-06H
4	SHIM	01-58H
1	IS5231F12	18-209H
1	RS2"	19-38H
4	CORK #00SL	19-09H
1	RSUK3/4"	19-49H
1	HT WARRANTY CARD	60-03H
1	HT COMPANION SELL SHEET	60-04H
1	HT BAG 2MIL ZIPx6.25"x9.25" PRIN P	12-31H

Please note: Always follow local electrical codes and use 110V GFCI protected outlet.

Nota: Siempre siga los códigos eléctricos locales y utilizar un GFCI 110V protegida toma de corriente.

Remarque: Suivez toujours les codes électriques locaux et une utilisation 110V GFCI protégées prise de courant

• Fact Book - Livret d'informations - Manual de Información

IMPORTANT, this booklet contains maintenance, troubleshooting and winter care instructions.

IMPORTANTE, este folleto contiene instrucciones para el mantenimiento, resolución de problemas e instrucciones para el cuidado invernal.

IMPORTANT, cette brochure contient de maintenance, de dépannage et d'entretien d'hiver.