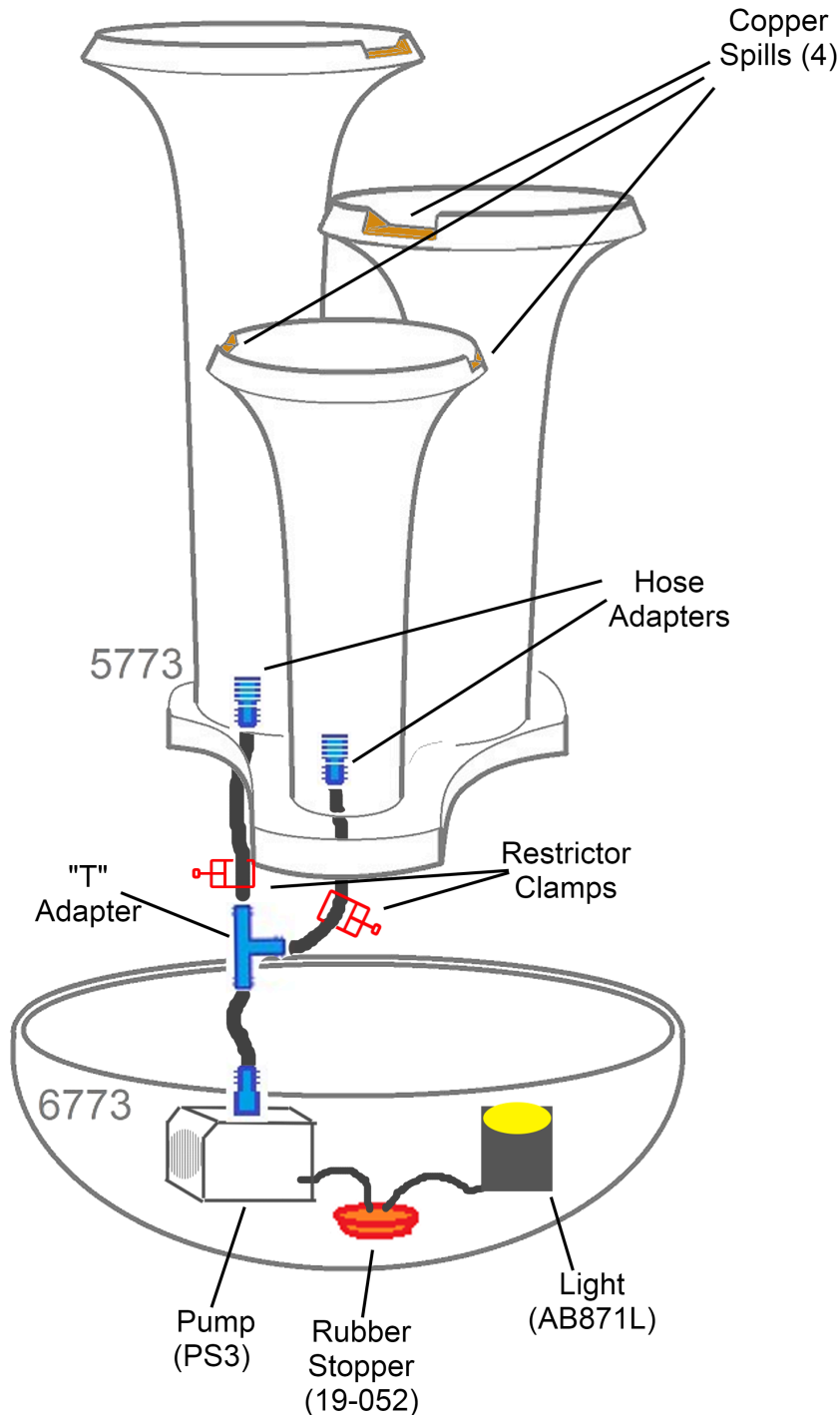


# Triple Fluted Fountain (5773F2)



1) Place light in basin. Run the light cable through the hole in the bottom of the basin, leading outside the basin.

2) Place pump in basin. Run the pump cable through the hole in the bottom of the basin, leading outside the basin.

3) Install the rubber stopper. Peel it open to place it around the light and pump cables. Press down hard enough that no more than 1/4" of the stopper is protruding above the concrete.

4) Install the plumbing exactly as outlined in the diagram, paying special attention to the orientation of the "T" fitting. Ensure to place the restrictor clamps over their respective hoses before pressing the hoses onto the adapters.

5) Install the copper plates in their respective places using the included silicone. Use a single, continuous bead of silicone under each plate. Ensure the plates protrude over the edge of the concrete by no less than 1/4".

6) Fill and run the fountain. Use the restrictor clamps to reduce/balance flow as necessary.

Caution: The use of Chlorine or Chlorine Bleach or water coloring additives may damage the finish of your fountain.

Make sure to place your fountain on a firm and level surface which will not settle. Note: Always follow local electrical codes and use a 110V GFCI protected outlet. Do not let children climb on fountain.

## IMPORTANT – WINTER CARE

Winter ice build-up can cause damage to concrete statuary. Follow these tips to reduce winter weathering to your fountain:

- \* Disconnect power to pumps and lights.
- \* Remove plugs/stoppers in all fountain bowls to open drains and let all moisture out. Keep drains open throughout winter.
- \* Cover with a Henri fountain cover. Keep tight and do not let snow or water collect in sagging areas.
- \* Do not allow snow or ice to build up on or against the concrete. Remove snow before it turns to ice. Do not use antifreeze, salt or chemical ice removers as these may damage concrete.

Questions? Email  
ProductSupport@HenriStudio.com