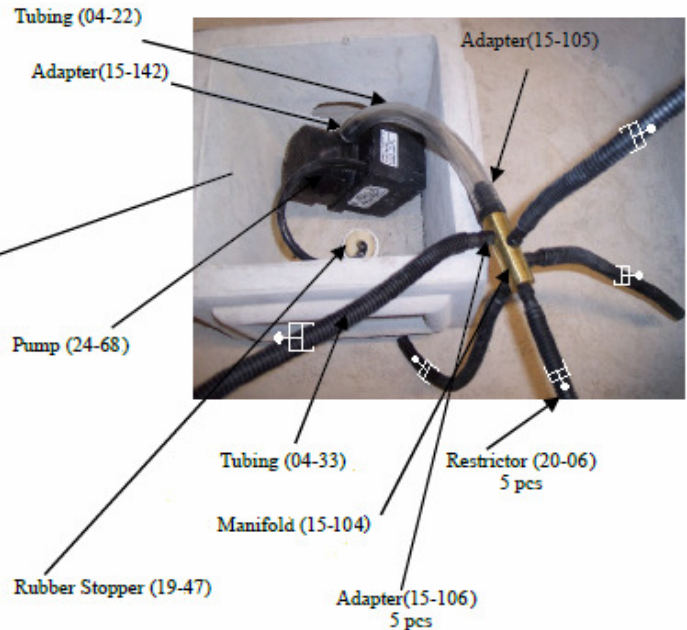
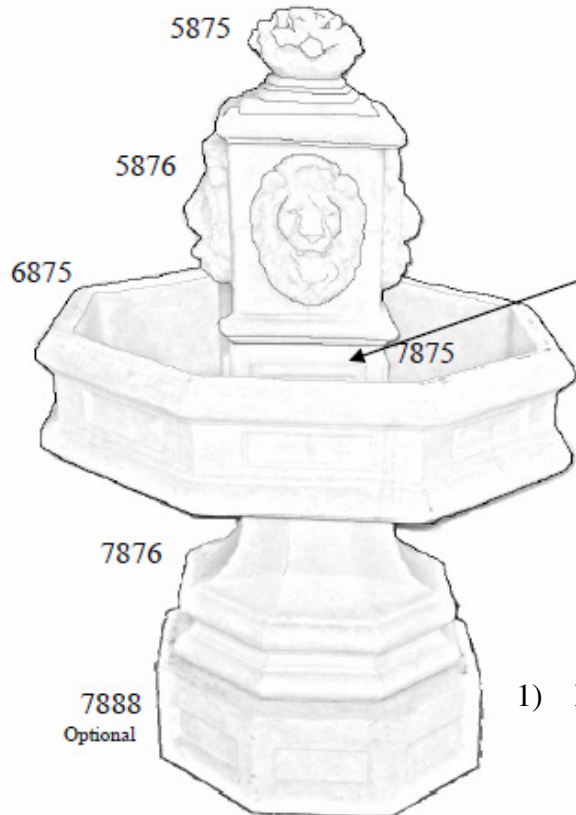


# 5875F Classic Lion Fountain, 5 pc.



- 1) Make sure to prepare a firm, stable, and level surface for your fountain. After placing the 6875 bowl on the 7876 pedestal (and perhaps the optional 7888 base), set the pump in the middle of the 6875. Slip the pump power cord down through the center hole and pull slack out the bottom of fountain, to plug in later. Seal the bowl's hole by placing the rubber stopper around the power cord and pressing into place.
- 2) Place the 7875 base over the pump. Connect your fittings as shown in the graphic at top right. The 15-142 threads into the pump. The 15-105 threads into the end of the brass manifold and the 15-106 fittings go into the other manifold openings. (Make sure not to thread fittings too far into the brass manifold. You should not see any of the fittings come through into the inside of the manifold or the water flow will be restricted.) Connect the clear tube between pump and larger manifold fitting. Attach black tubes to other manifold openings. Place a 20-006 restrictor on each black tube.
- 3) Carefully set the 5876 on the 7875 base. Attach four of the open ends of the black tubes to the fitting already installed inside the 7875. As you set the 5875 top into place, connect the remaining tube to its pre-attached fitting.
- 4) Read your pump instructions and fill the bowl with water. Plug in the pump. If you want to balance the water flow, reach inside to tighten the flow restrictors.
- 5) Make sure to follow winterizing instructions, including draining and covering your fountain.

### Part list: CK212

QTY	Description	Henri Part #
4	NKT3/8" X 9"	04-33
1	NKT3/8" X 18"	04-33
1	CLEAR TUBING 1/2"ID X 9"	04-22
1	ADAPTER 1/4"MNPT X 1/2"BARB	15-105
1	RSUK 1 HOLE	19-47
1	PS850 PUMP	24-68
1	ADAPTER 3/4" MNPT X 1/2" BARB	15-142
5	RESTRICTOR	20-006
1	MANIFOLD5WAY	15-104
5	ADAPTER 1/8"MNPT X 3/8"BARB	15-106

Please note: Always follow local electrical codes and use 110V GFCI protected outlet  
 Nota: Siempre siga los códigos eléctricos locales y utilizar un GFCI 110V protegida toma de corriente.  
 Remarque: Suivez toujours les codes électriques locaux et une utilisation 110V GFCI protégées prise de courant